

DG-100

DEGAUSSER

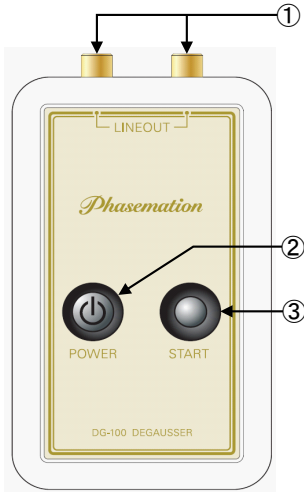
Phaseation

Owner's Manual

D010-0920-00E

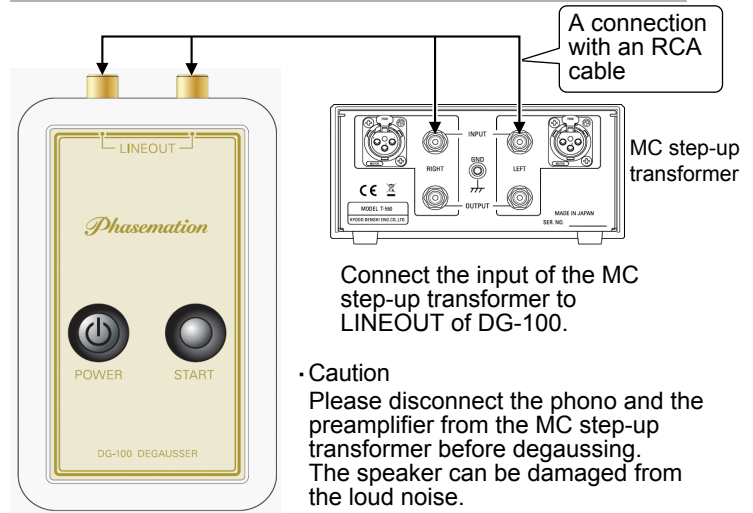
Thank you for purchasing DG-100. Please read this Owner's Manual thoroughly for proper operation before starting to use your equipment so that you may use this for a long period of time.

Functions and Operations



- ① LINEOUT
Connect the MC step-up transformer or the MC cartridge to be degaussed.
 - ② POWER
This button is for turning the power on/off. When the power is on, the button surroundings become blue.
 - ③ START
This button is for starting the degaussing. While it is degaussing for 20sec., the button surroundings become blue.
- How to operate
1. Connect the unit to be degaussed to LINEOUT
 2. Press the POWER button.
 3. Press the START button.

Connection1 (Connecting to the MC step-up transformer)

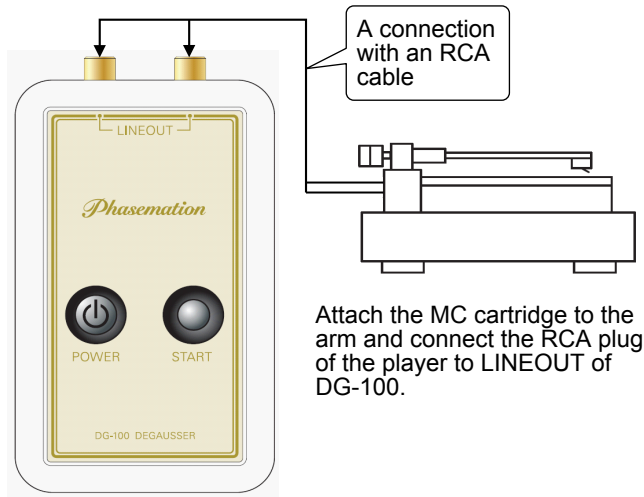


Connect the input of the MC step-up transformer to LINEOUT of DG-100.

• Caution

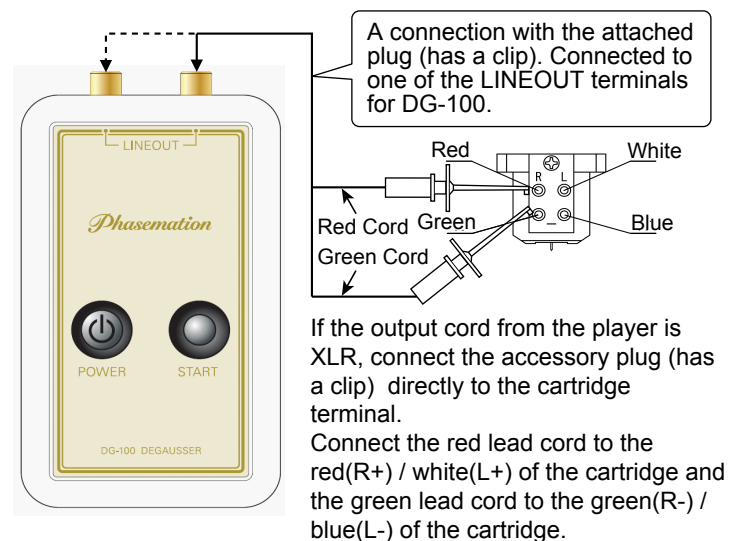
Please disconnect the phono and the preamplifier from the MC step-up transformer before degaussing. The speaker can be damaged from the loud noise.

Connection2 (Connecting to the MC cartridge)



Attach the MC cartridge to the arm and connect the RCA plug of the player to LINEOUT of DG-100.

Connection3 (Connecting to the MC cartridge)



If the output cord from the player is XLR, connect the accessory plug (has a clip) directly to the cartridge terminal.

Connect the red lead cord to the red(R+) / white(L+) of the cartridge and the green lead cord to the green(R-) / blue(L-) of the cartridge.

Caution

- Air-core MC cartridges and optical cartridges do not have magnetic material coiled and therefore there is no effect even if degaussed.
- When degaussing MM and MI type cartridges, the needle tip must always be removed. Do not use it if the needle cannot be removed or else the magnet will be degaussed.
- When degaussing the MC step-up transformer, please disconnect the phono and preamplifier from the transformer and degauss the transformer by itself. The speaker can be damaged from the loud noise.
- If the RCA plug does not easily fit, do not insert it in by force. The RCA jack of the unit may break.

● Notice

- Degaussing the MC step-up transformer of EA-350/550 :
Degauss at Input2 (RCA terminals) of the rear when the power is off.
- Degaussing the MC step-up transformer of EA-500 :
Degauss at MC Input1 (RCA terminals) of the rear when the power is off.
- Degaussing the MC step-up transformer of EA-1000 :
When the power is on, degauss it when the INPUT is at MC2 (front side), the MC IMPEDANCE is at HIGH (front side), and the MC INPUT2 (rear side) is connected to the RCA terminal. At this time, the preamplifier that is connected must be turned off. The speaker can be damaged from the loud noise.
- Degaussing the CM-2000:
Set the INPUT of the front to "1", connect to the INPUT1 and RCA terminals of the rear, and degauss.

● When To Degauss

MC step-up transformers and MC cartridges containing an iron core slowly degausses and sounds deteriorate. If degaussing is done once every two to three months, you can always enjoy fresh sounds.

● When To Exchange the Battery

- If the illumination around the POWER button has darkened, it is a sign that the battery amount is low. Please exchange to a new battery as soon as possible.
- If the empty battery is left remained, liquid may leak out and will lead to damaging the unit.

● Product Specifications

Output Oscillation Frequency	440Hz ± 5%
Output Voltage	0.7Vrms or more
Output Waveform	Exponential Decay Waveform for 20sec.
Output Impedance	280 Ω
Dimensions	69(W)×28(H)×121(D) mm
Weight	172g
Output Terminals (RCA×2)	Gold Plated Terminals

● Accessories: 9V battery and a plug with a clip (it is stored in the battery case)

● Specifications and appearance design are subject to change without notice due to improvements.

● As for the unclear matters with regards to the after service, please contact the dealer.

Phasemation

Kyodo Denshi Engineering Co., Ltd.
8-40-17 Shinyoshidahigashi, Kohoku-ku, Yokohama-shi 223-0058
TEL 81-45-710-0975
FAX 81-45-710-0976
E-mail info@phasemation.com
URL <https://www.phasemation.com>

Phasemation is the original audio brand of Kyodo Denshi Engineering Co., Ltd.